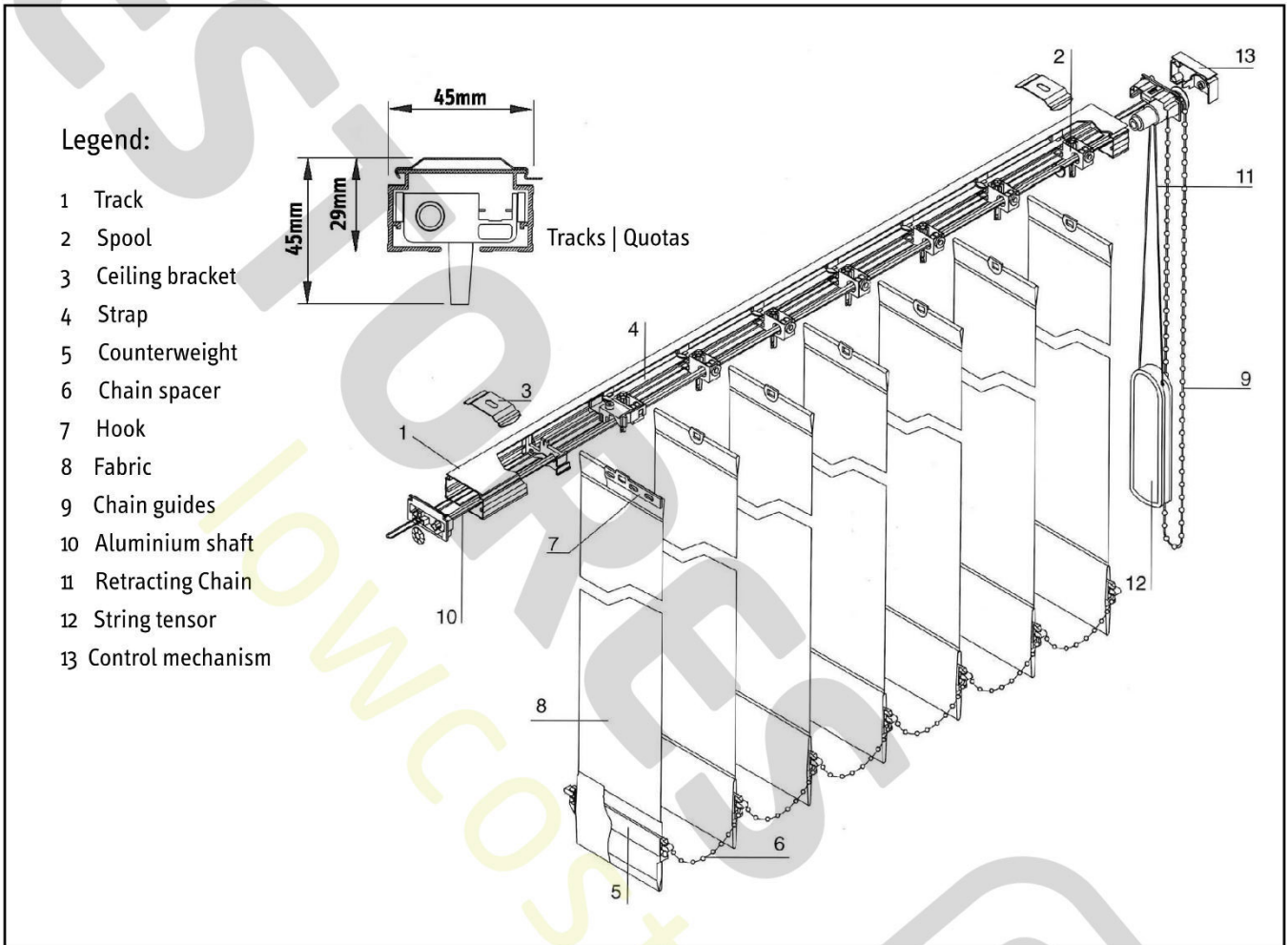
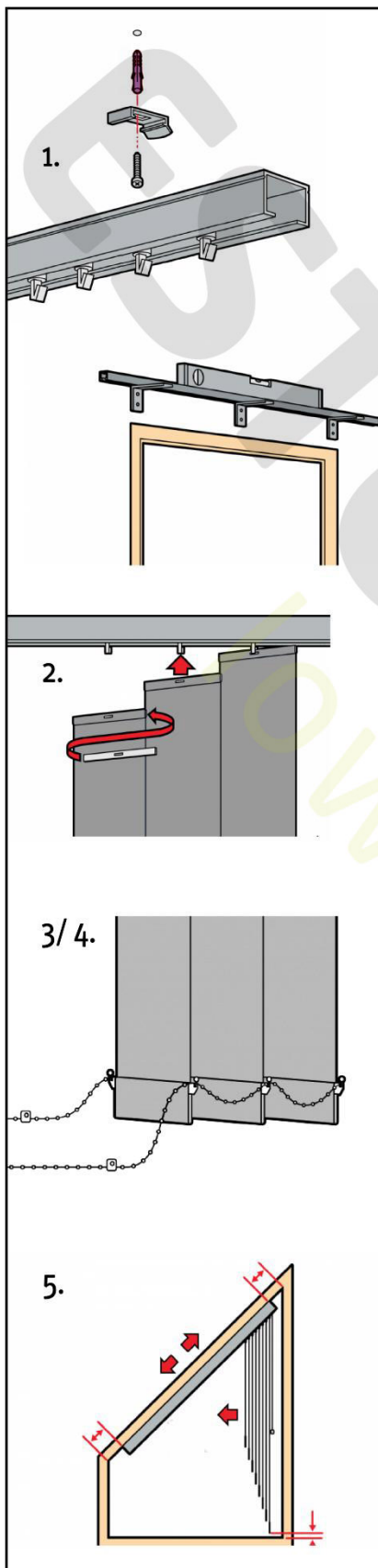


VERTICAL BLINDS – DESIGN





1. Install / Fix the track with ceiling brackets

Establish the position of the first bracket (at 10 cm from the extremity) and set the drilling points. Drill the holes with a drill for masonry of 6mm and introduce the bushings. Screw the first bracket and gently tighten the fixing screws. Afterwards, place the second bracket at the same distance in the other extremity of the track. If necessary, place a third bracket between the other two brackets. Screw the fixing brackets (to the ceiling) and subsequently place the track in its position. This bracket has a clip system that allows an easy removal. Note: Take into account the width of the slats by calculating the distance between the blinds and the window, making sure that they can be open and closed freely.

If you do not wish to fix the blinds to the ceiling, use the spacer brackets (not included).

2. Insert the slats in the track.

After assembling the track, you can place the slats. Insert the hooks of the spool into the slots of the slats/screen that are in its superior part.

3. Insert the counterweights in the slats.

To ensure that the slats are hung with tension, you must use the plastic counterweights. In this example, slide the counterweight with small hooks over the inferior edge of the slat, with the hooks facing up. The counterweight is wrapped in the material.

4. Connect the slats

After everything is well hung and with the counterweights, fix the chain spacer with the plastic rings to the clips of the counterweights.

It's important to wait a few days so that the slats are well hung. The creases will disappear on its own.

5. Insert the Vertical Blinds on an oblique window

It's possible to install the Vertical Blinds on an oblique window. In this case, it will be necessary to install the curtains so that the slats slide to the superior part of the window when they are open. For that, the chain must be placed on that side of the window. Leave small spaces between the ends of the track and the window frame.