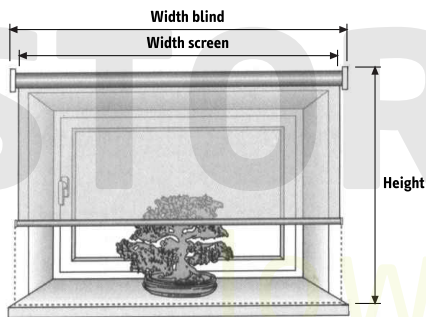
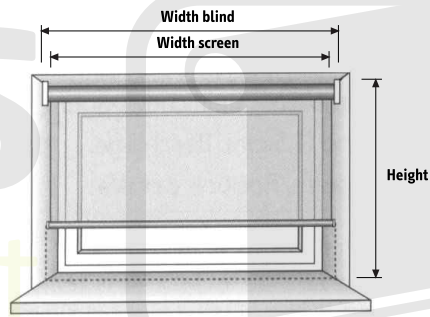


INSTALLATION OUTSIDE THE WINDOW APERTURE



INSTALLATION INSIDE THE WINDOW APERTURE



ALWAYS INDICATE THE WIDTH OF THE ROLLER BLIND, NOT THE WIDTH OF THE SCREEN

When taking measures for Roller Blinds, you must pay attention to the width of the screen, which is 4cm narrower than the mechanism of the blind (around 2cm for each side). Always indicate the full width of the roller blind.

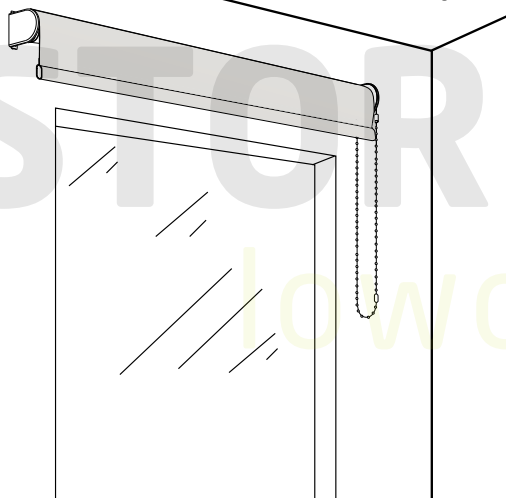
- Outside of the window aperture, measure at least 5cm additionally for each side, so that the screen will be bigger than the window aperture.
- Normally, the roller blind is measured with 10 extra cm above the window aperture, so that there is enough space to retract the blind above the window aperture.
- For other blinds, you must take into consideration the space necessary for the roller blind to rise completely.
- In the lower part, you must decide if the roller blind is going to be leveled with the windowsill or if it should be measured with 10 extra cm beyond the windowsill.
- An alternative is mounting the roller blind on the ceiling and making it open up to the ground.

- The width of the roller blind has to be measured in the upper part alongside the holders. Pay attention to the possible existence of footers.

- The side of the command is defined by looking inside out.
- The measures must be indicated in meters, with a maximum of half a cm of precision, rounding it down.

Example: in a situation of a measure of 1.838m, you must indicate the final measure of 1.835m.

Wall mounting



Ceiling mounting

