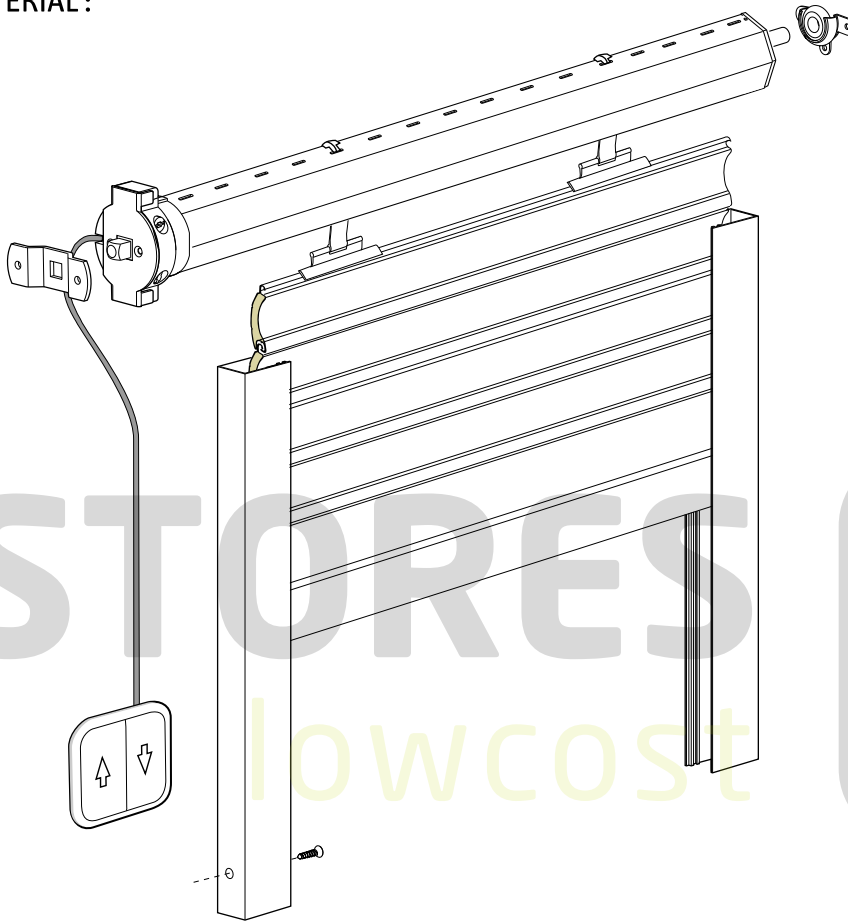
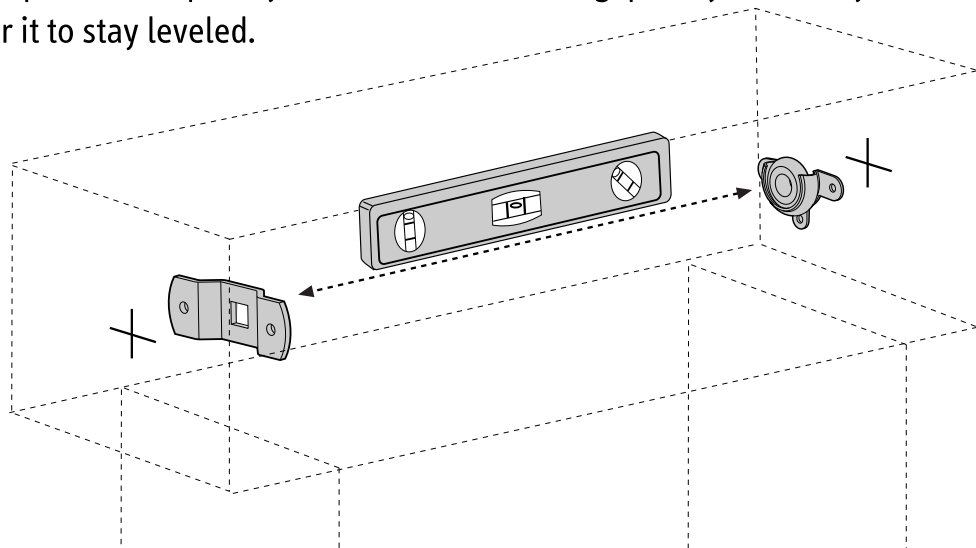


MATERIAL :



1.

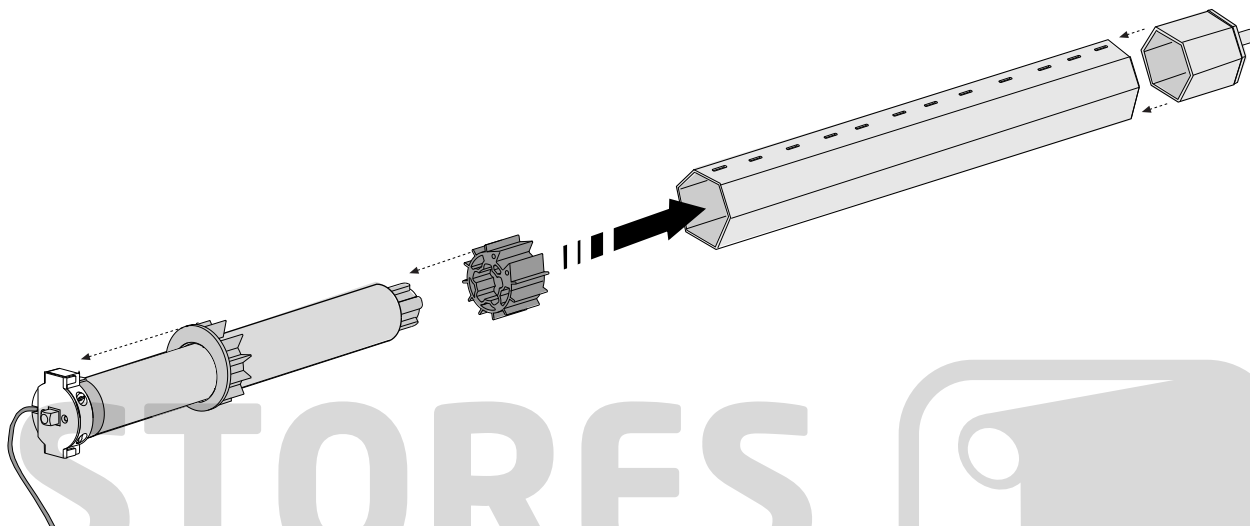
Mark and place the pulley's frame and rolling pulley laterally/ to the wall, in order for it to stay leveled.





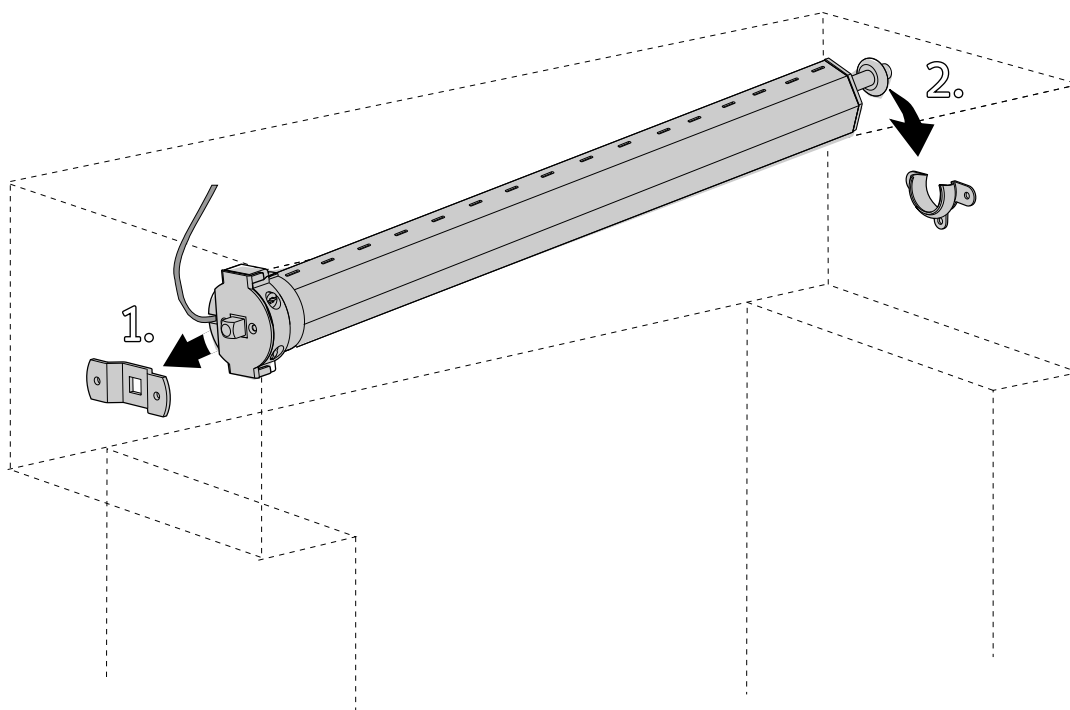
2.

Insert the motor in the wheel and in the driving wheel, afterwards insert the tube.



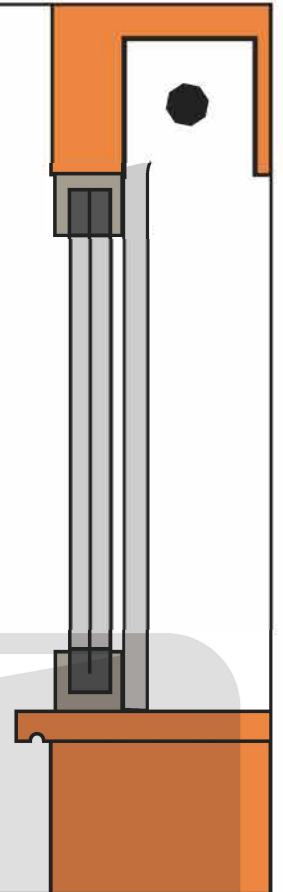
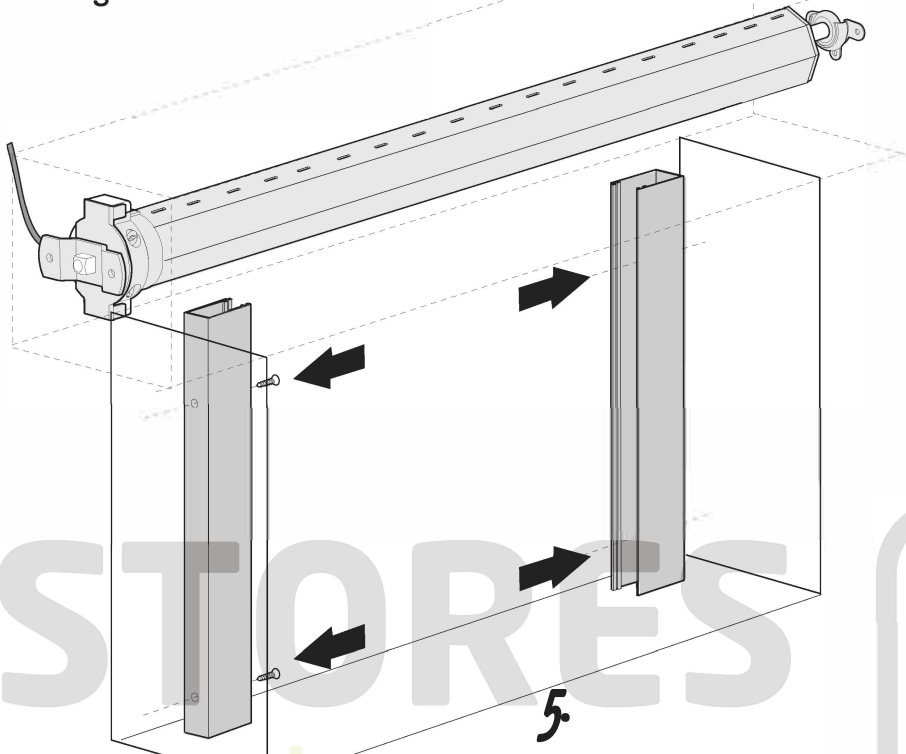
3.

Insert the head of the motor in the pulley's frame, after that fit the rolling on top of the peg and on the rolling pulley that is fixed laterally/ to the wall.



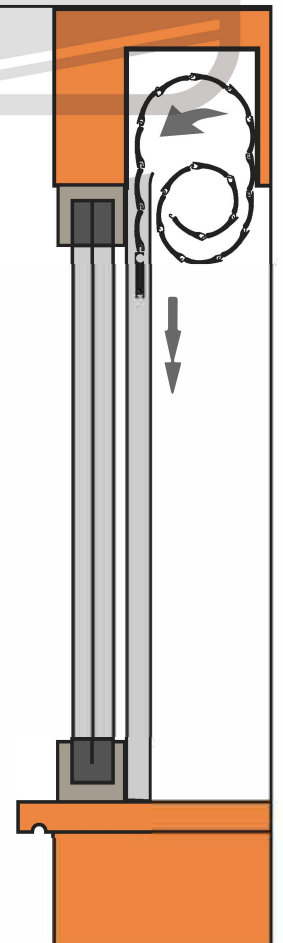
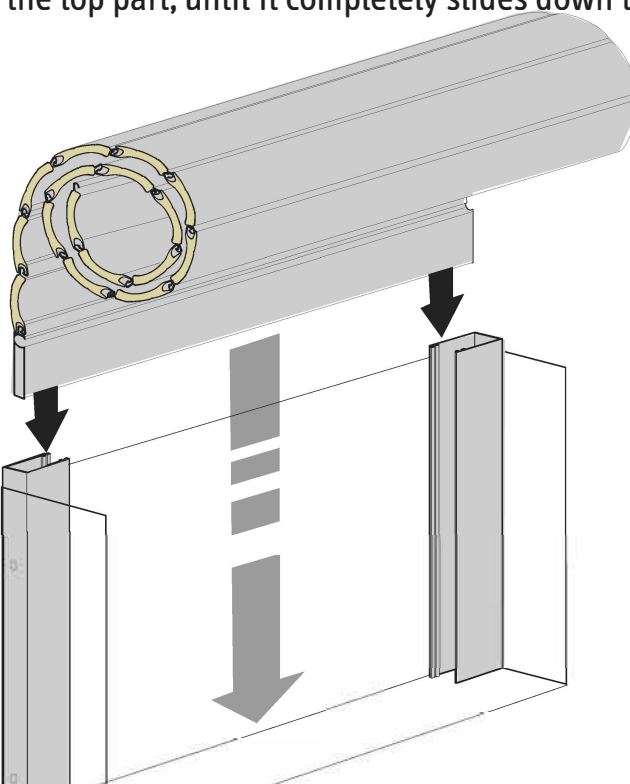
4.

Fix the guides to the side walls.



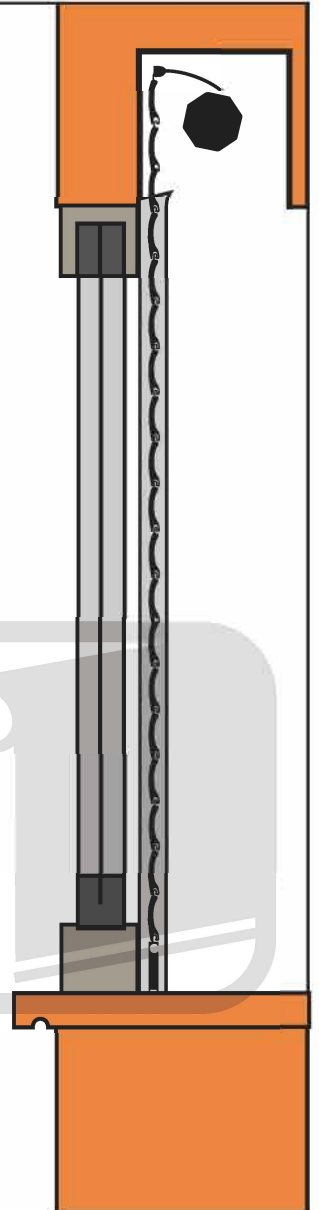
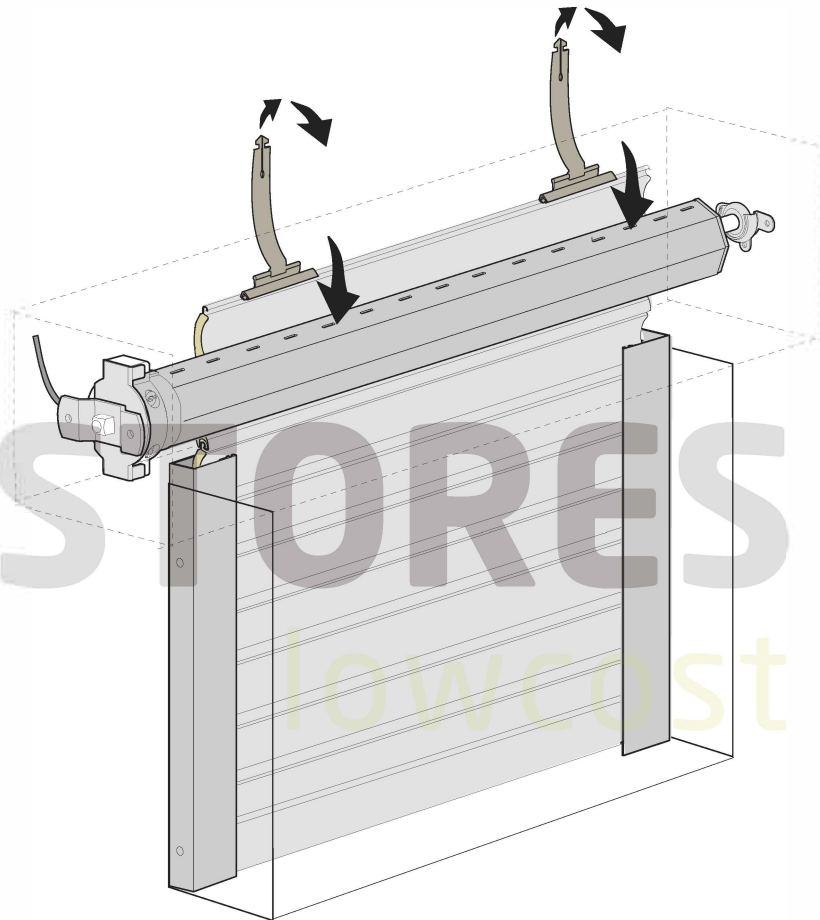
5.

Insert the conveyor (rolled slats with the tethers) in the lateral guides through the top part, until it completely slides down to the bottom.



6.

Fix the tethers to the tube by inserting the edges of the tethers into the slots of the tube.



7.

Connect the respective linkages of the motor to the electrical current (depending on the case, to the inverter or the remote control).

Adjusting right away the end stops.

For more information consult the manual for connection and programming of motors and automatism.