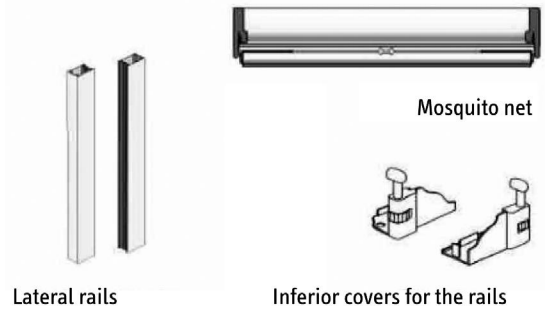


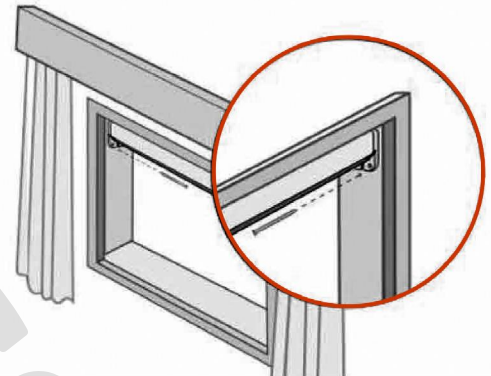
**1.** Open the packaging and confirm the existence of every piece.

The mosquito net includes:

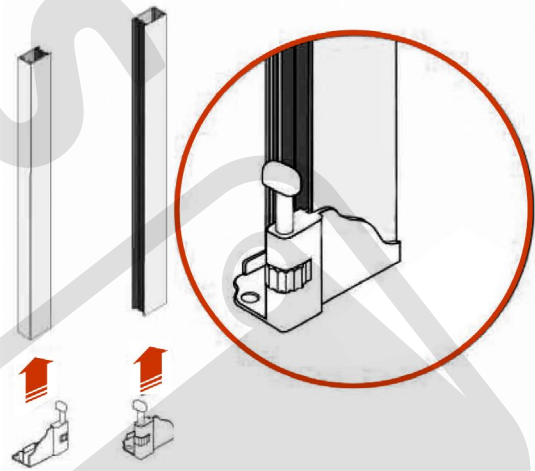
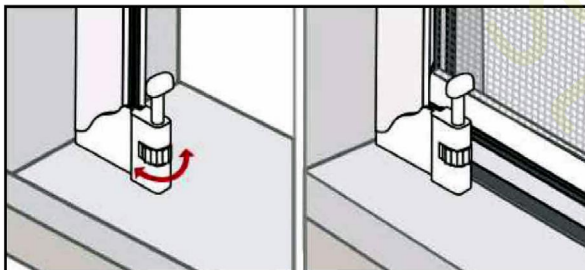
- a box, a net and a counterweight.
- a pair of rails
- a pair of inferior covers



**2.** The mosquito net is usually installed inside the vane. Depending on the height of the mosquito net it may be necessary to drill the rails and fix them laterally to the wall. Assemble the set of collecting box, rails and inferior covers for the rails, place them in the right place and mark the holes in the box and in the inferior covers. Fix them with the proper fixing screws.



**3.** Finally, adjust the height of the clamps that fix the counterweight in order to seal the inferior space.



**4.** Only in case of need, fix the rails laterally to the wall.

